

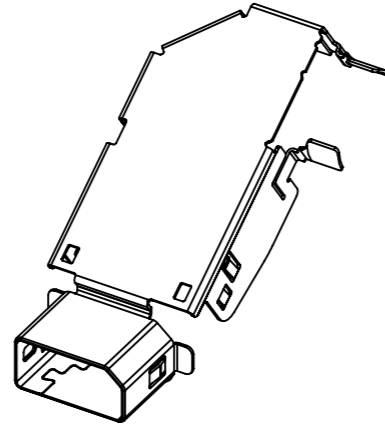
Applicable cable	
Items	Applicable condition
Conductor size	AWG 28-22
Insulation O.D.	Ø1.55mm max.
Braid Shield	Tin plating
Sheath O.D.	Ø5.5mm - Ø7.2mm

Pin	10/100 Mbit/s	1/10 Gbit/s
1	TX+	BI_DA+
2	TX-	BI_DA-
3	N.C.	N.C.
4	N.C.	BI_DC+
5	N.C.	BI_DC-
6	RX+	BI_DB+
7	RX-	BI_DB-
8	N.C.	N.C.
9	N.C.	BI_DD+
10	N.C.	BI_DD-

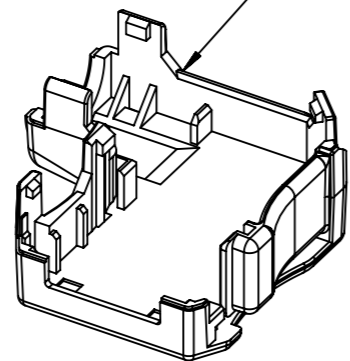
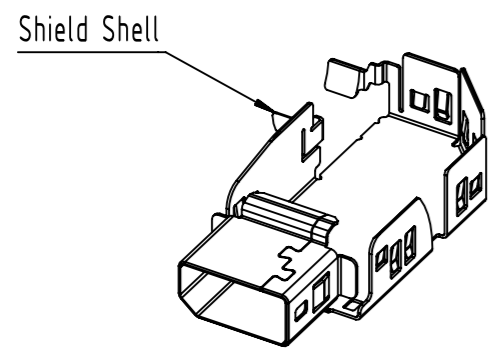
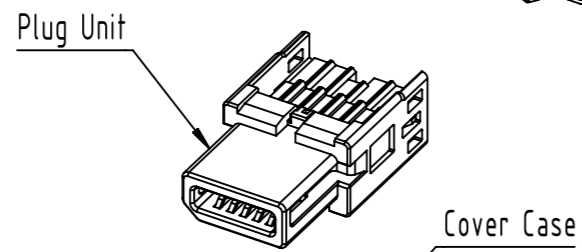
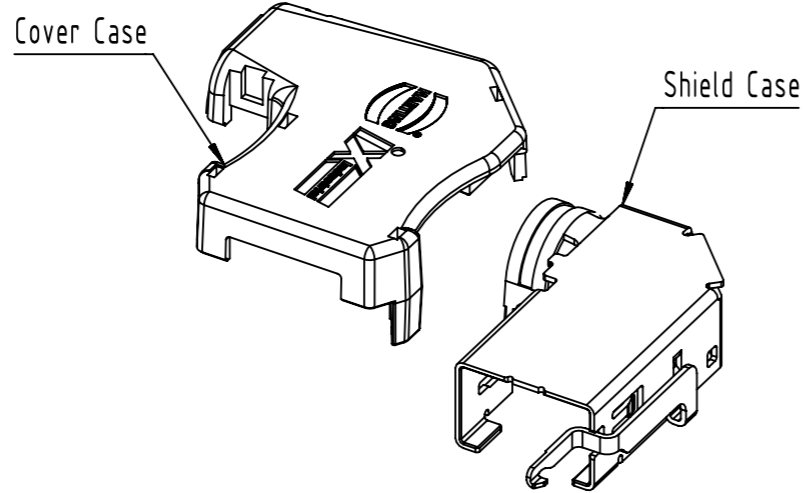
Contact material: copper alloy
 Contact area: Gold 0.2µm min.
 Wiring area: Gold 0.03µm min.
 Under plating: Nickel 2µm min.

	All rights reserved		Created by 406403		Inspected by PREOTU		Standardisation ROEBEN		Date 2022-05-13		State Final Release	
	Department EL PD		Title ix Industrial 10A-1 plug A1-S		Type TB		Number 09451812580XL		Doc-Key / ECM-Nr. 100903349/UGD/000/B 500000216890		Rev. B	Page 1/2
		D-32339 Espelkamp										

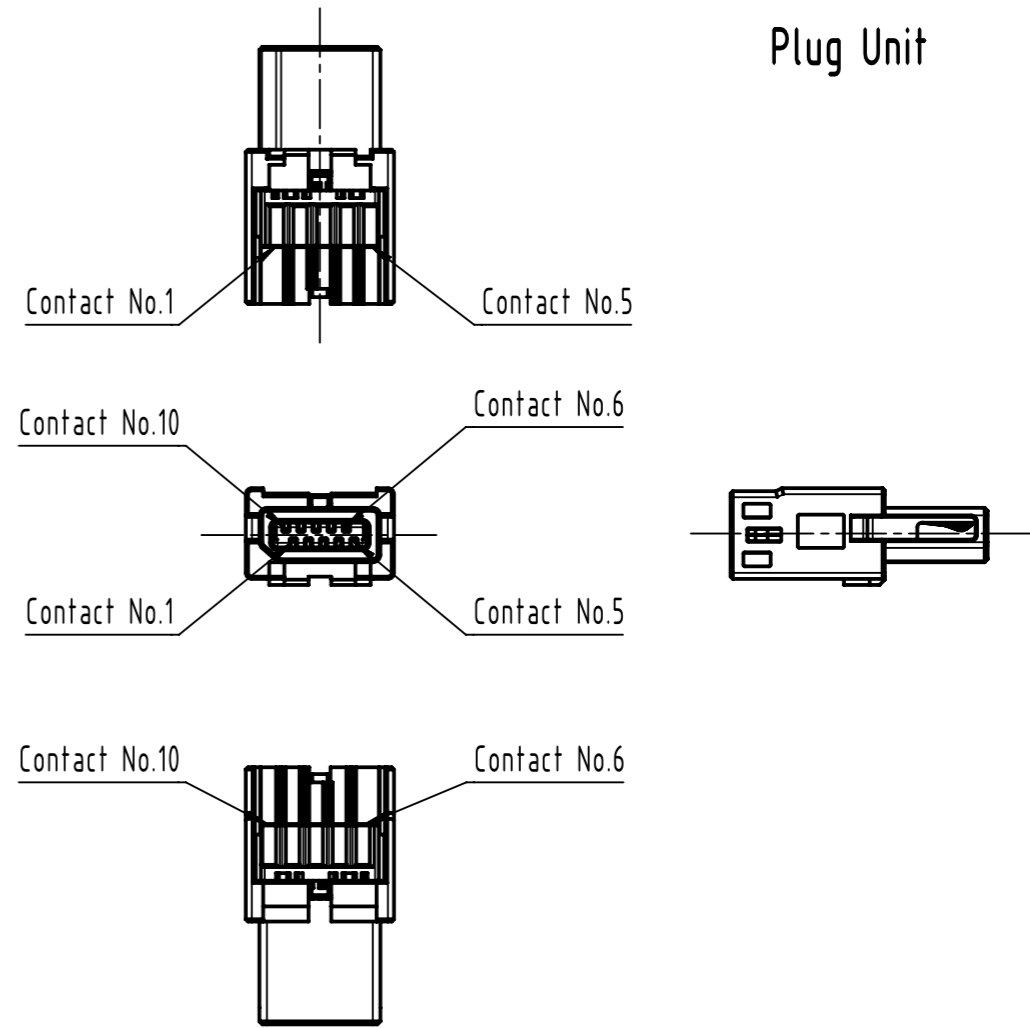
Shield Shell delivery form



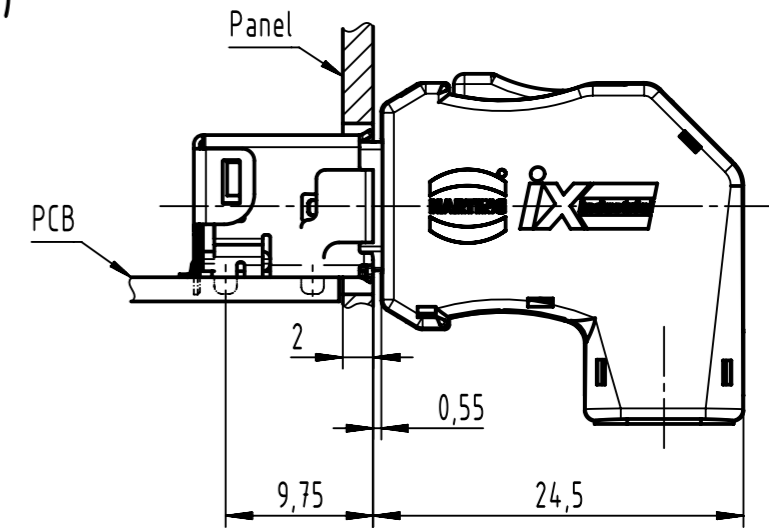
Product Structure



Plug Unit



Mating condition (2:1)



	All rights reserved Department EL PD	All Dimensions in mm Original Size DIN A3		Scale 2:1	Free size tol.	Ref. Sub.
		Created by 406403	Inspected by PREOTU	Standardisation ROEBEN	Date 2022-05-13	State Final Release
HARTING D-32339 Espelkamp		Title ix Industrial 10A-1 plug A1-S			Doc-Key / ECM-Nr. 100903349/UGD/000/B 500000216890	
		Type TB	Number 09451812580XL		Rev. B	Page 2/2